

# IP65 LED BATTEN LIGHT

OEM & ODM & PATENT DESIGN

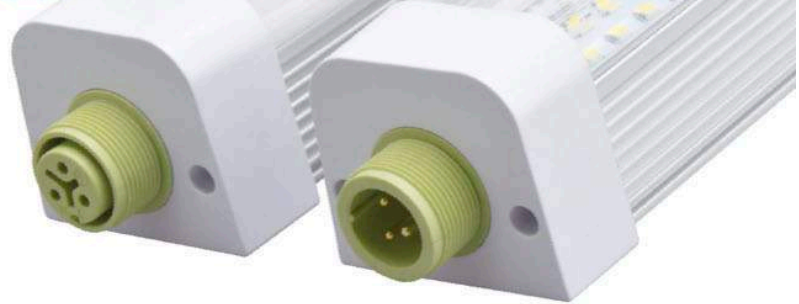
## Unique Patent Design

IT IS WIDELY USED IN UNDERGROUND PARKING LOT, METRO STATION, AIRPORT, HARBOR, - FACTORY, UNDERGROUND TUNNEL, OUTDOOR PLAYGROUND, INDOOR STADIUM AND OTHER HUMID ENVIRONMENT ETC.

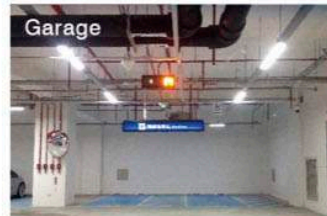


## IP65 LED Batten Light

1. Length: 2ft, 3ft, 4ft, 5ft, 6ft, 8ft
2. PF > 0.9
3. THD < 20%
4. 50,000H
5. Input Voltage:  
AC 120V/120-277V/120-347V/100-240V 50/60Hz



## Lighting Case



## Specification.1

MODEL	SIZE	POWER	MATERIAL	CCT	CRI	PACKAGE
T5SL600-15W	2ft	15W	AL+PC	3000K/4000K 5000K/6000K	>80	710x260x230(mm) 20pc/ctn
T5SL900-25W	3ft	25W				1015x260x230(mm) 20pc/ctn
T5SL1200-30W	4ft	30W				1290x260x230(mm) 20pc/ctn
T5SL1500-40W	5ft	40W				1645x210x230(mm) 16pc/ctn
T5SL1800-44W	6ft	44W				1945x210x230(mm) 16pc/ctn
T5SL2400-60W	8ft	60W				2445x162x180(mm) 9pc/ctn



**KLM CO., LIMITED**  
www.klmlighting.com

# IP65 LED BATTEN LIGHT

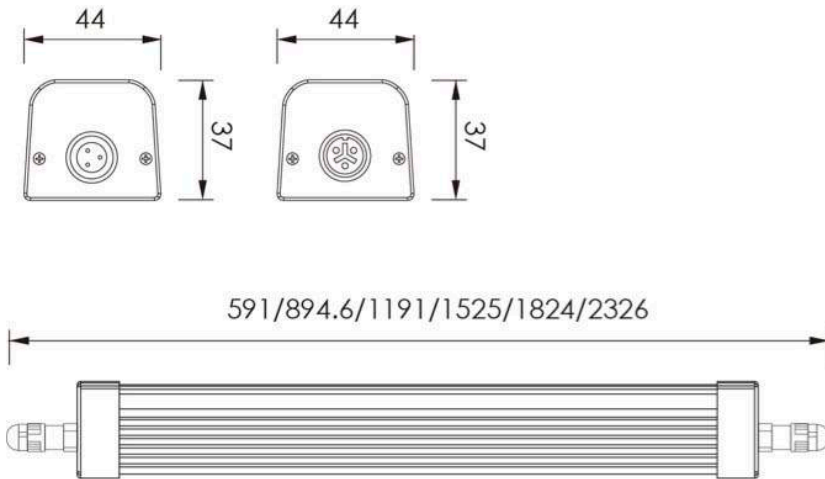
OEM & ODM & PATENT DESIGN

## Specification. 2

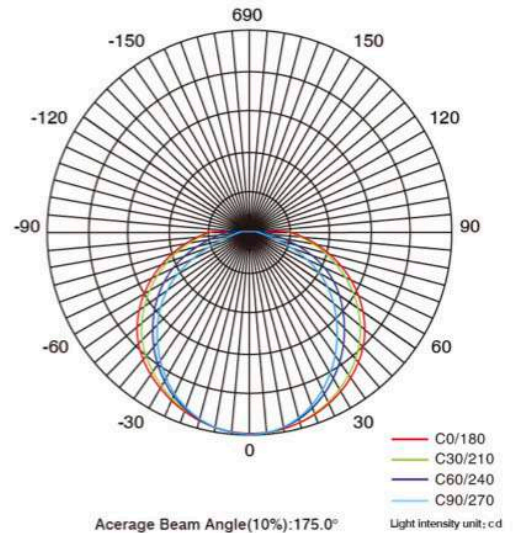
Model	Pc Cover	Luminous Flux(Lm) ±10%			Pc Cover	Luminous Flux(Lm) ±10%		
		WW2700-3200K	NW4000-4500K	CW6000-6500K		WW2700-3200K	NW4000-4500K	CW6000-6500K
T5SL600-15W	Frosted	1620	1650	1680	Clear	1920	1950	1980
T5SL900-25W	Frosted	2700	2750	2800	Clear	3200	3250	3300
T5SL1200-30W	Frosted	3240	3300	3360	Clear	3840	3900	3960
T5SL1500-40W	Frosted	4320	4400	4480	Clear	5120	5200	5280
T5SL1800-44W	Frosted	4750	4840	4930	Clear	5630	5720	5800
T5SL2400-60W	Frosted	6480	6600	6720	Clear	7680	7800	7920

## Product line drawing

Size:(mm)



## Light distribution curve



## Standard Accessories

Length for power cord or connection cable can be Customized.





# IP65 LED BATTEN LIGHT

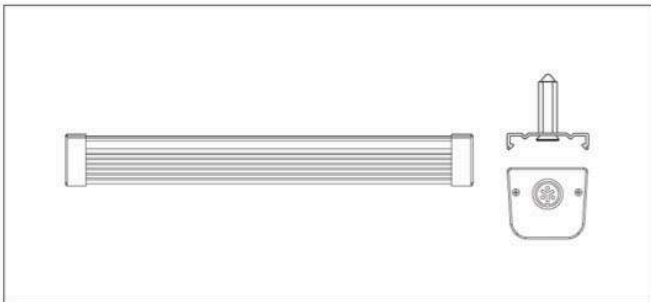
OEM & ODM & PATENT DESIGN

## Steps of installation

- To avoid electric shock, maintenance and installation should only be carried out by a professional electrician
- Before installation, turn off the power to make sure safety
- The integrated tubes can be connected less than total 200W
- Follow the diagram for below for proper installation

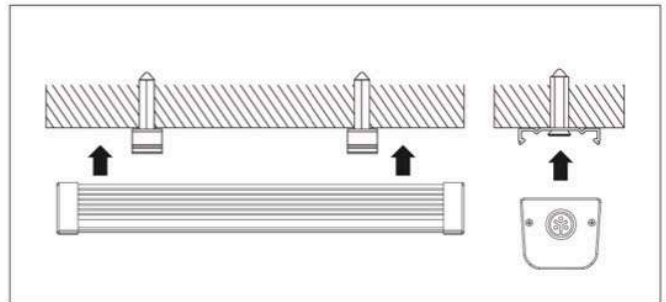
### STEP1.

Place the clip kit and screws correctly



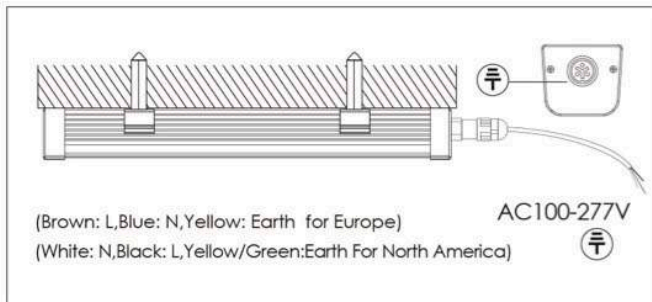
### STEP2.

Fix the LED tube to the ceiling or wall



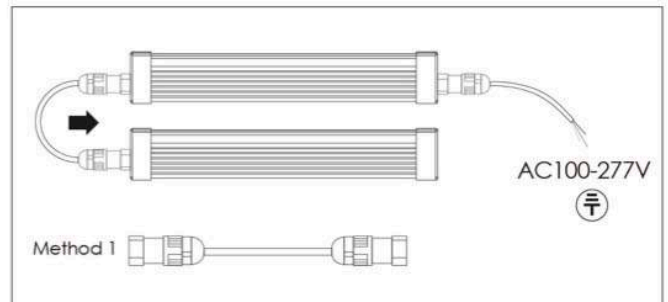
### STEP3.

Connect the power cord to the integrated tube

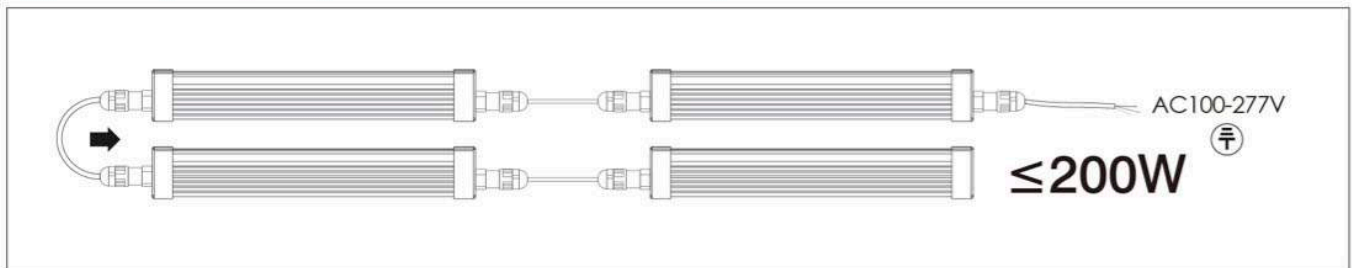


### STEP4.

Connect up by linkable connector, done.



Caution: The integrated tubes can be connected less than total 200W



## ⚠ WARNING

- Disconnect power before installation, must be installed by licensed electrician.
- Please use it under correct input power range.
- This tube is non-dimmable.
- Do not use in the outdoor environment.
- Do not use or do not using if the product does not operate properly, check connections after the power is turned off, in case of failure replace the fixtures.