

LED Solar Flood Light

TGD Series



Specification:

Beam angle	140*70degree	140*70degree	140*70degree	140*70degree
Luminous flux	>1900lm	>2800lm	>4200lm	>6600lm
Color Temp	2700K~6000K	2700K~6000K	2700K~6000K	2700K~6000K
CRI	>82	>82	>82	>84
LED Brand & Qty	Philips 72Pcs SMD	Philips 72Pcs SMD	Philips 72Pcs SMD	Philips 72Pcs SMD
IP Rating	IP67	IP67	IP67	IP67
Battery capacity	192WH 12V	312WH 12V	432WH 12V	680WH 12V
Battery lifetime	1000Cycles	1000Cycles	1000Cycles	1000Cycles
Charging mode	PWM	PWM	MPPT	MPPT
Solar panel				
Voltage of PV	18VDC	18VDC	18VDC	18VDC
Power of PV	45W	60W	80W	110W
Cell of PV	MONO Cell	MONO Cell	MONO Cell	MONO Cell
Pole height	3m~5m	3m~6m	4m~8m	5m~8m

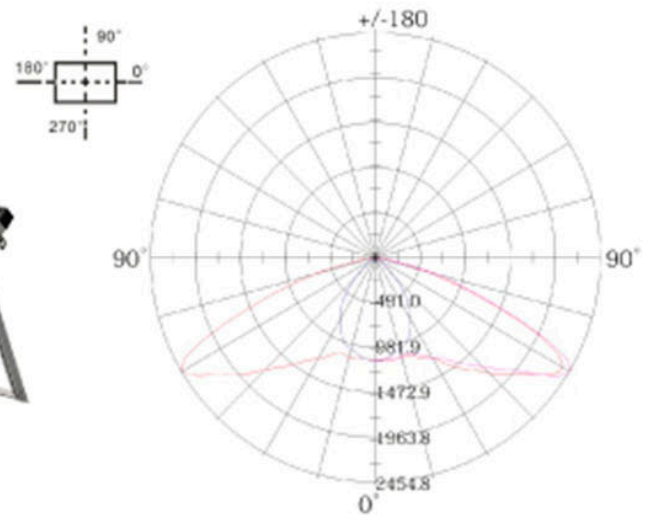
Rechargeable led flood light

The aurora team has been in spare no effort to provide customers with optimal product quality.

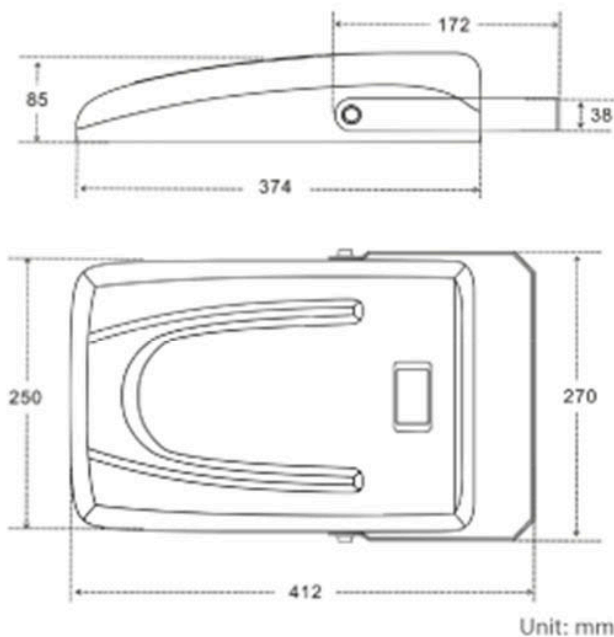
[TO LEARN MORE>>](#)



Light Distribution Curve [Unit: cd]



Dimension:



Lux-Distance Curve

